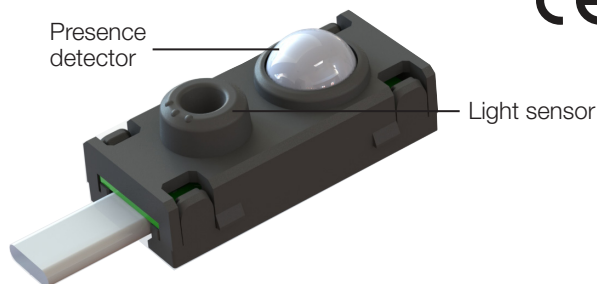


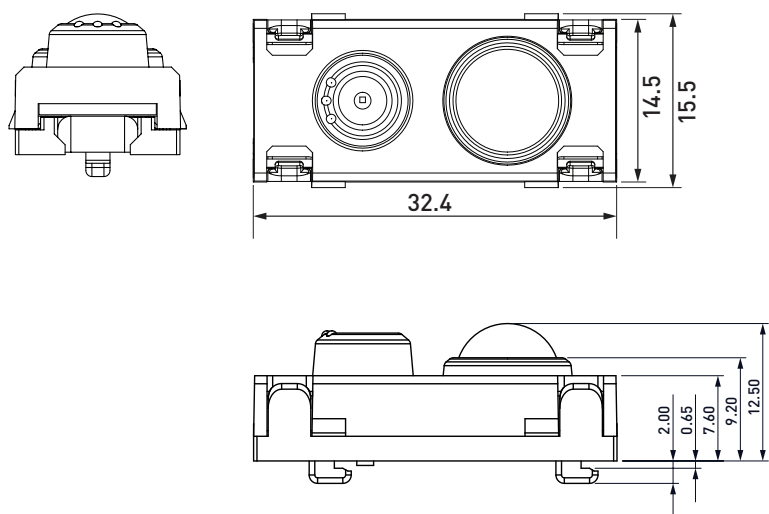
The Active+ Sense is a small luminaire-based sensor that combines a photocell for constant light control and a passive infrared presence detector.

This sensor is part of Helvar's Active+ product range, which provides self-learning automatic lighting control for luminaires, as well as customisation options via the Active+ Mobile application.

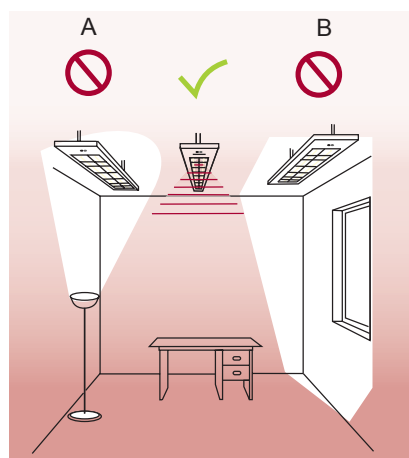


1. Features

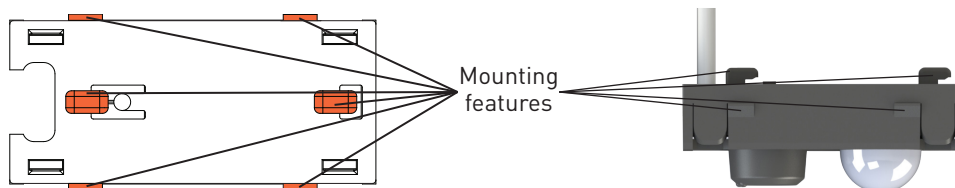
Dimensions (mm)



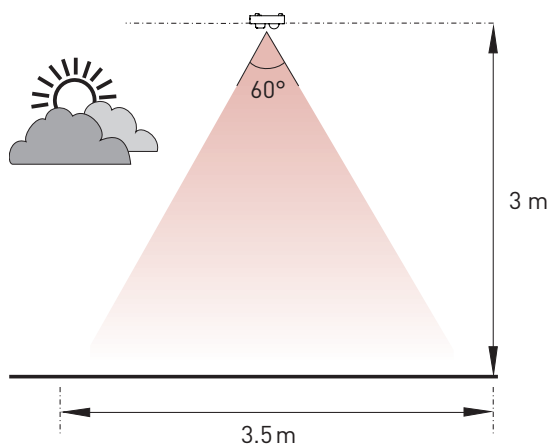
Recommended Location



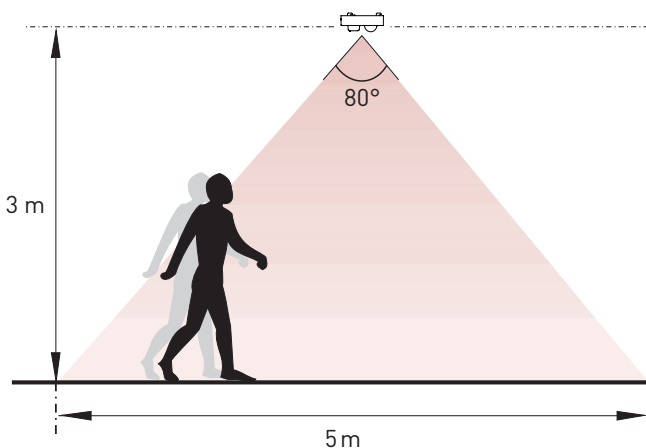
1. Do not place the sensor in direct line of artificial light sources, e.g. lamps or uplighters.
2. Do not place the sensor in direct sunlight.



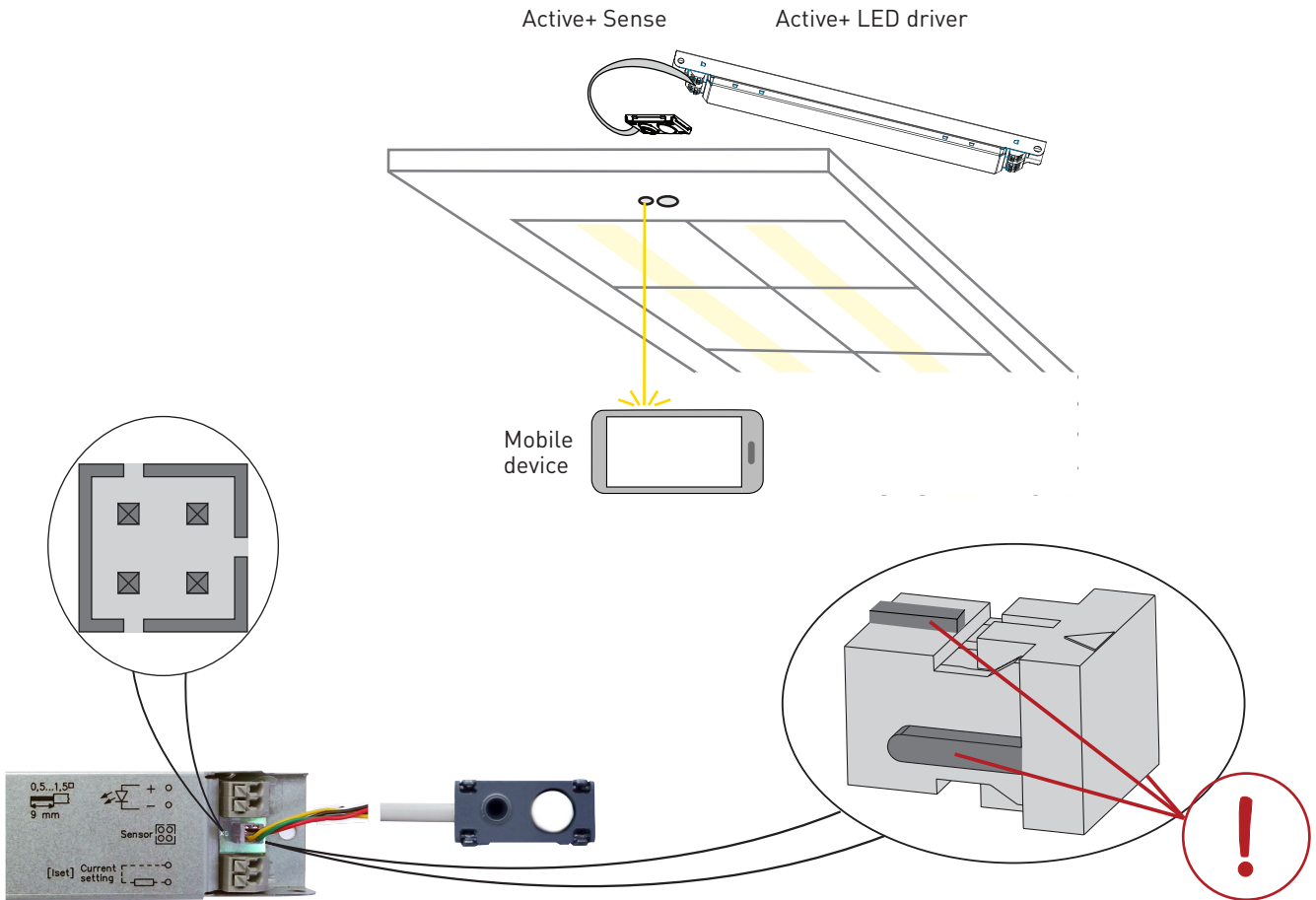
Constant Light Coverage



Presence Detection Coverage



2. Connection



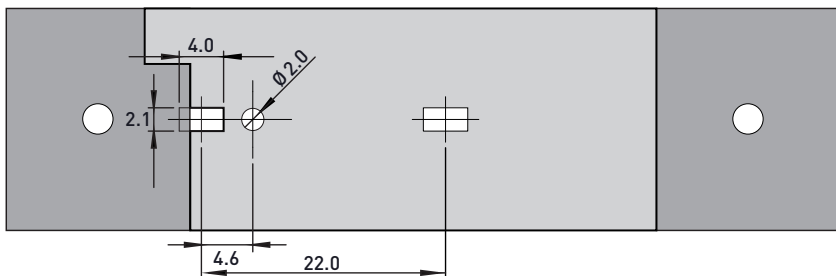
3. Mounting

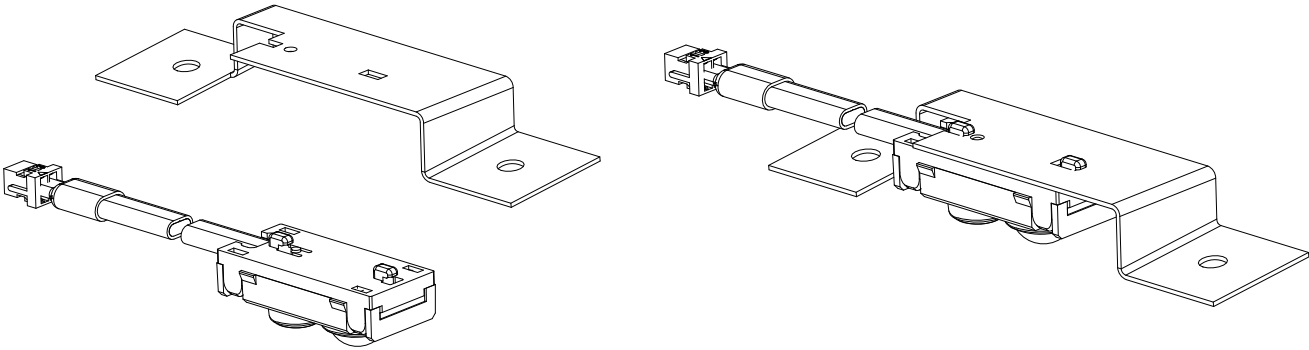
The following figures show two of several possible methods of mounting the Active+ Sense in a luminaire. In both cases, the sensor is mounted to 22 swg (0.7 mm) sheet metal:

- Option 1 uses the mounting features on the rear of the sensor.
- Option 2 uses the mounting features on the long sides of the sensor.

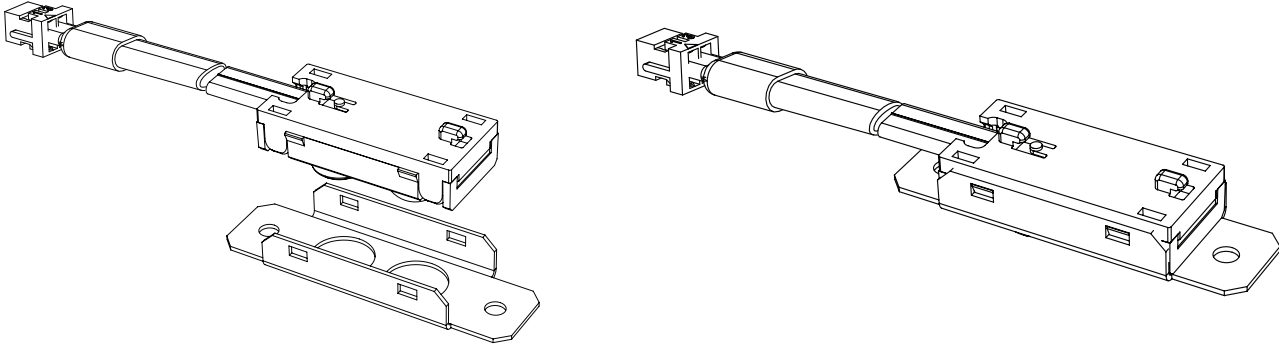
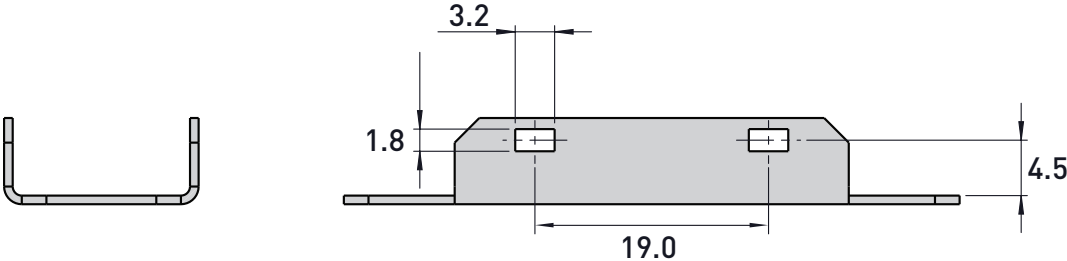
The mounting features can be used to provide customised mounting solutions. The examples shown are for guidance only. Mounting brackets are not supplied.

Option 1

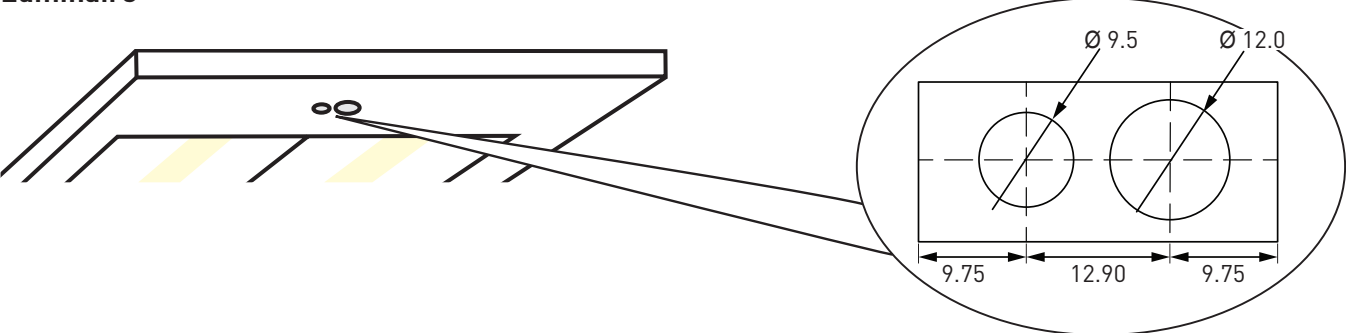




Option 2



Luminaire



Technical Data

Connections

Active+: 80 cm flexible cable terminated with a four-way, 2 mm keyed connector
Note: If the sensor is connected to non-SELV control gear, the luminaire must be Class I.

Mechanical data

Dimensions: 32.4 mm × 15.5 mm × 14.5 mm

Material (casing): Fire-retardant polycarbonate

Colour: Grey (RAL 9006)

IP code: IP30

Weight: 22 g

Operating conditions

Ambient temperature: -20 °C to +50 °C
Note: The temperature difference between the detection target and the background must be at least 4 °C.

Relative humidity: Max. 90 %, noncondensing

Storage temperature: -40 °C to +80 °C

Illuminance: 5 lx to 5000 lx

Conformity and standards

EMC Emission: EN 55015

EMC Immunity: EN 61547

Safety: EN 61347-2-11

Environment: Complies with RoHS directive.